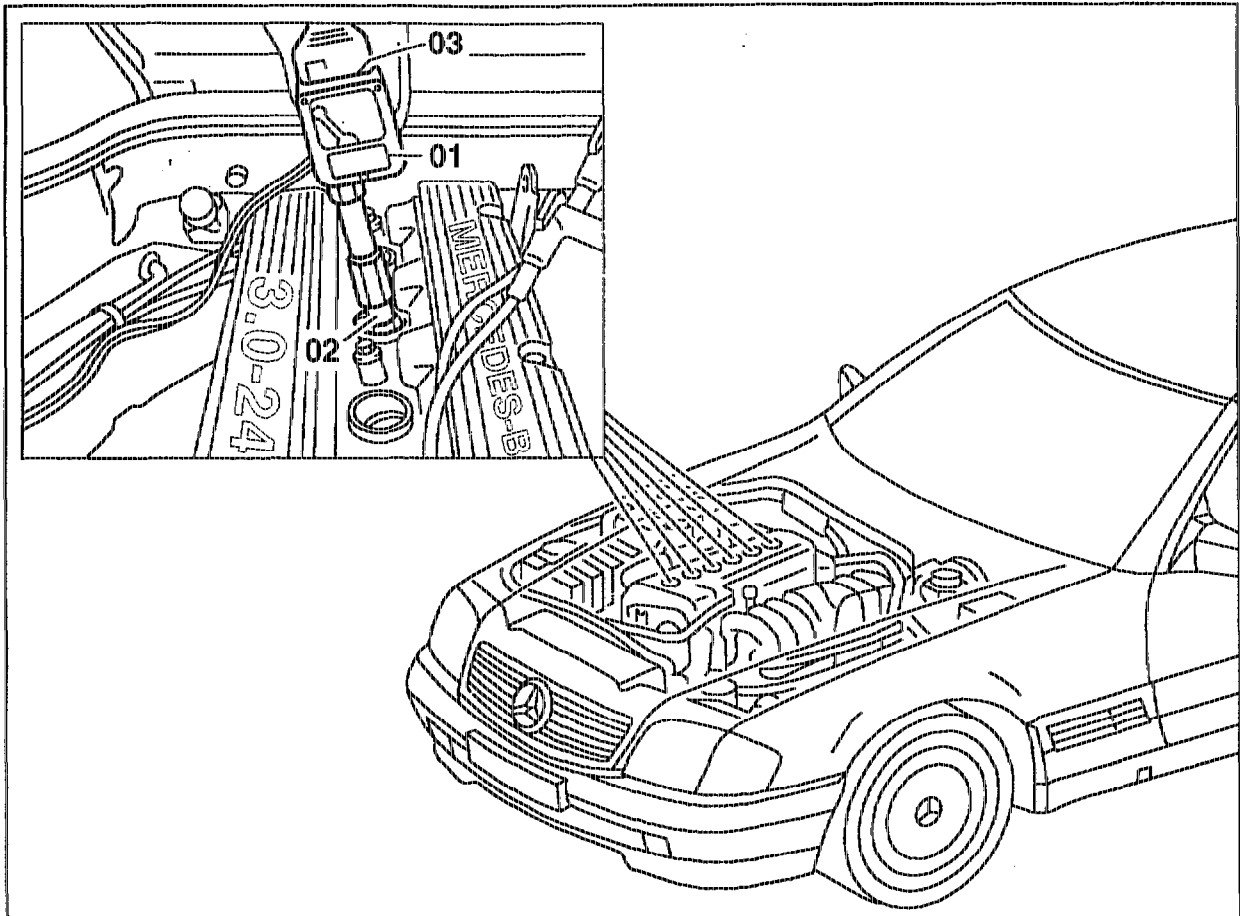


01-0100 Testing compression pressure

Preceding work:
Warning instructions when hood open (01-0085).

Operation no. of operation texts and work units or standard texts
and flat rates:
01-1200



P01-5824-57

- 01 Compression pressure recorder, special tool 001 589 77 21 00
- 02 Adapter
- 03 Diagram sheet

Engine
Spark plug
Compression tester
Engine

warm up to normal operating temperature.

remove, install (AP15.00-1580CA).

connect.

crank several times by pressing contact switch on compression tester, in idle speed position and handbrake applied, to expell residues and soot (01-0110).



Do not crank engine at ignition/starter switch.

Diagram sheet (03)
Compression tester (01)

insert into compression tester (01).

press into spark plug hole of respective cylinder.

- Throttle valve open fully.
- Engine crank approx. 8 revolutions with starter (01-0110).
- All cylinders check in this manner.
- If minimum compression pressure not achieved .. check cylinders for leaks (01-1300).

Test data

Test data when engine at normal operating temperature		Overpressure in bar	
Compression pressure at	normal compression	min. 10	max. 14
	fuel-optimized	min. 6	max. 10
Permissible difference between individual cylinders		max. 1.5	

Special tool

