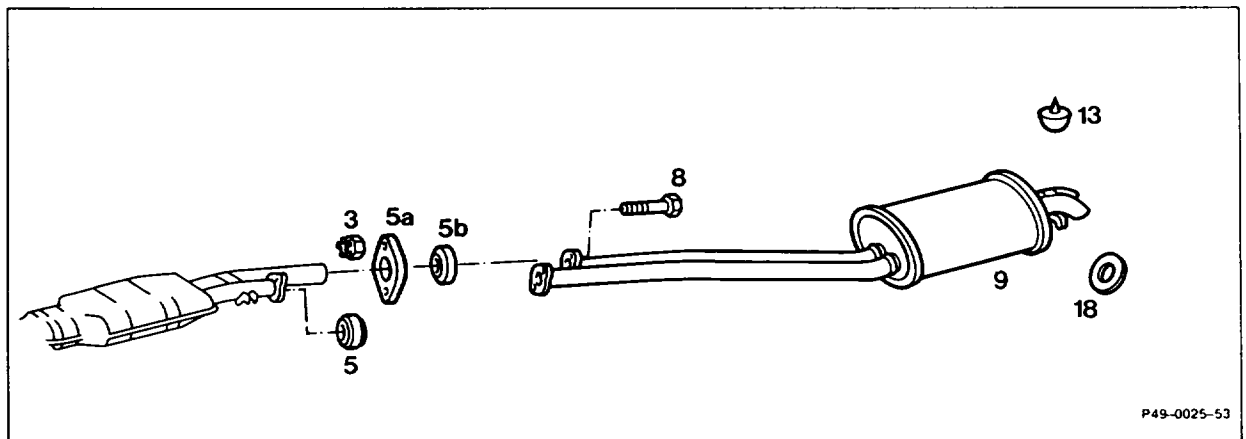


## 49-7280 Removing, installing, replacing and bolting exhaust system as of plug connection

Operation no. of operation texts and work units or standard texts and flat rates:  
49-7280.

### A. Model 107

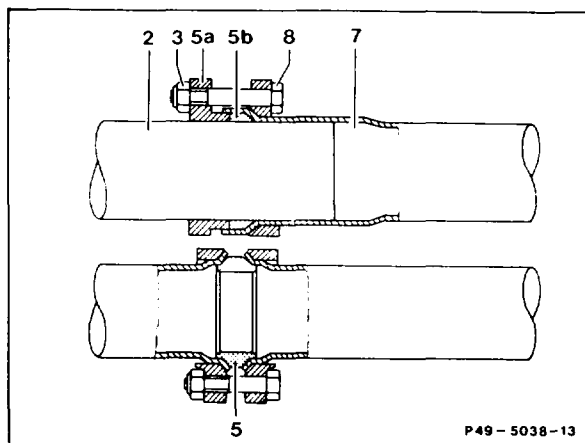


Bolted joints self-locking nuts (3), bolts (8) . . . . .	remove, fit on. Replace self-locking nuts (3), bolts (8). Tightening torque 20 Nm (reference value).
Tail silencer (9) . . . . .	detach from rubber ring (18), take off, fit on and attach.
	<b>Installation note</b> Check tail silencer (9), rubber ring (18) and rubber stop (13) for wear; exchange if necessary.
Sintered seal (5), flange (5a), graphite seal (5b) . .	check suitability for reuse, replace if necessary.
	<b>Installation note</b> Ensure parts are correctly installed.
Exhaust system . . . . .	with engine running, check for leaks.

**Note**

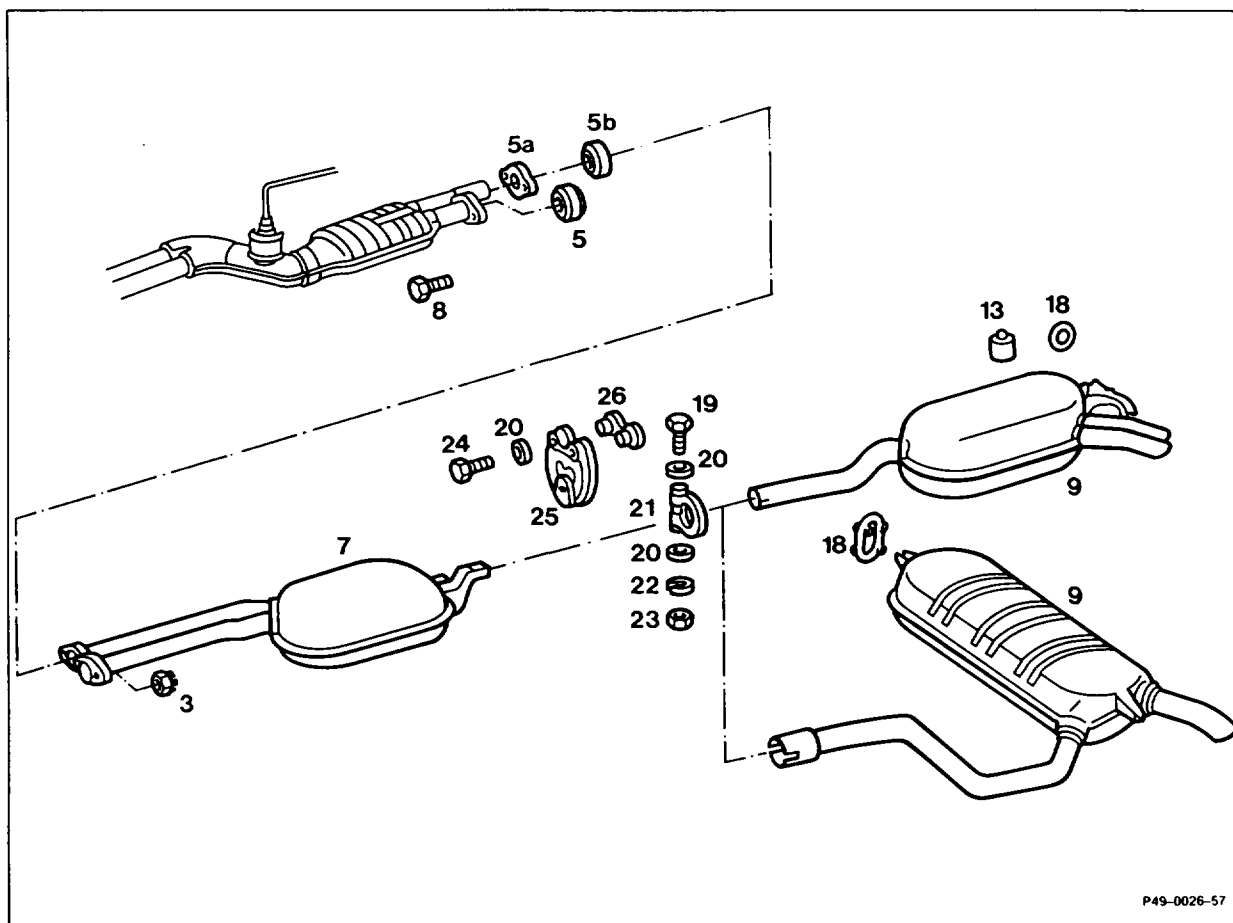
If necessary, use emery cloth to remove combustion or corrosion residues from the tapered connectors of the pipes (2, 7) and sintered seal (5).

Ensure parts are correctly installed.



- 2 Front exhaust pipe
- 3 Self-locking nut
- 5 Sintered seal
- 5a Flange
- 5b Graphite seal
- 7 Middle exhaust pipe
- 8 M8 bolt

**B. Model 124**



P49-0026-57

- |  |  |
|--|--|
| <p>Bolt (19), washers (20), spring lock washer (22),<br/>nut (23) . . . . .</p> <p>Bolted joints (self-locking nuts) (3), bolts (8) . . . . .</p> <p>Tail silencer (9) . . . . .</p> | <p>take off, check, replace if necessary, fit on.<br/>Tightening torque 25 Nm (reference value).</p> <p>take off, fit on.<br/>Replace self-locking nuts (3), bolts (8).<br/>Tightening torque 20 Nm (reference value).</p> <p>detach from rubber ring (18), take off, fit on and<br/>attach.</p> |
|--|--|

**Installation note**

Check tail silencer (9) and rubber ring (18) for wear; exchange if necessary.

Pipe clip (21) .....	pull off from tail silencer (9), check, replace if necessary, fit on.
Bolts (24), washers (20), suspension plate (25) and tensioning plate (26) .....	take off, check for wear and fit on.
Middle silencer (7) .....	take off, fit on.
Sintered seal (5), flange (5a), graphite seal (5b) ..	check suitability for reuse, replace if necessary.
Rubber stop (13) .....	check for wear, replace if necessary.
Exhaust system .....	with engine running, check for leaks.

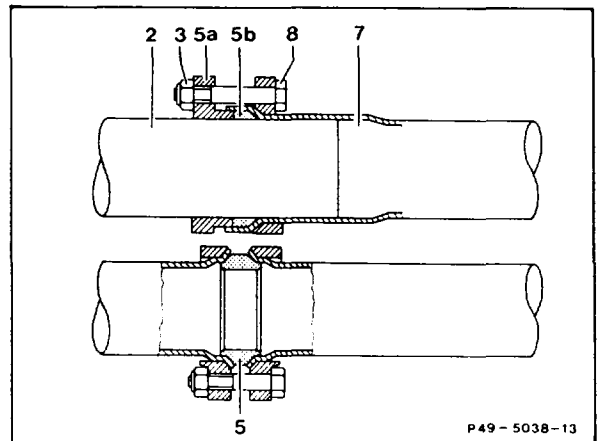
**Installation note**

Ensure parts are correctly installed.  
 check for wear, replace if necessary.  
 with engine running, check for leaks.

**Note**

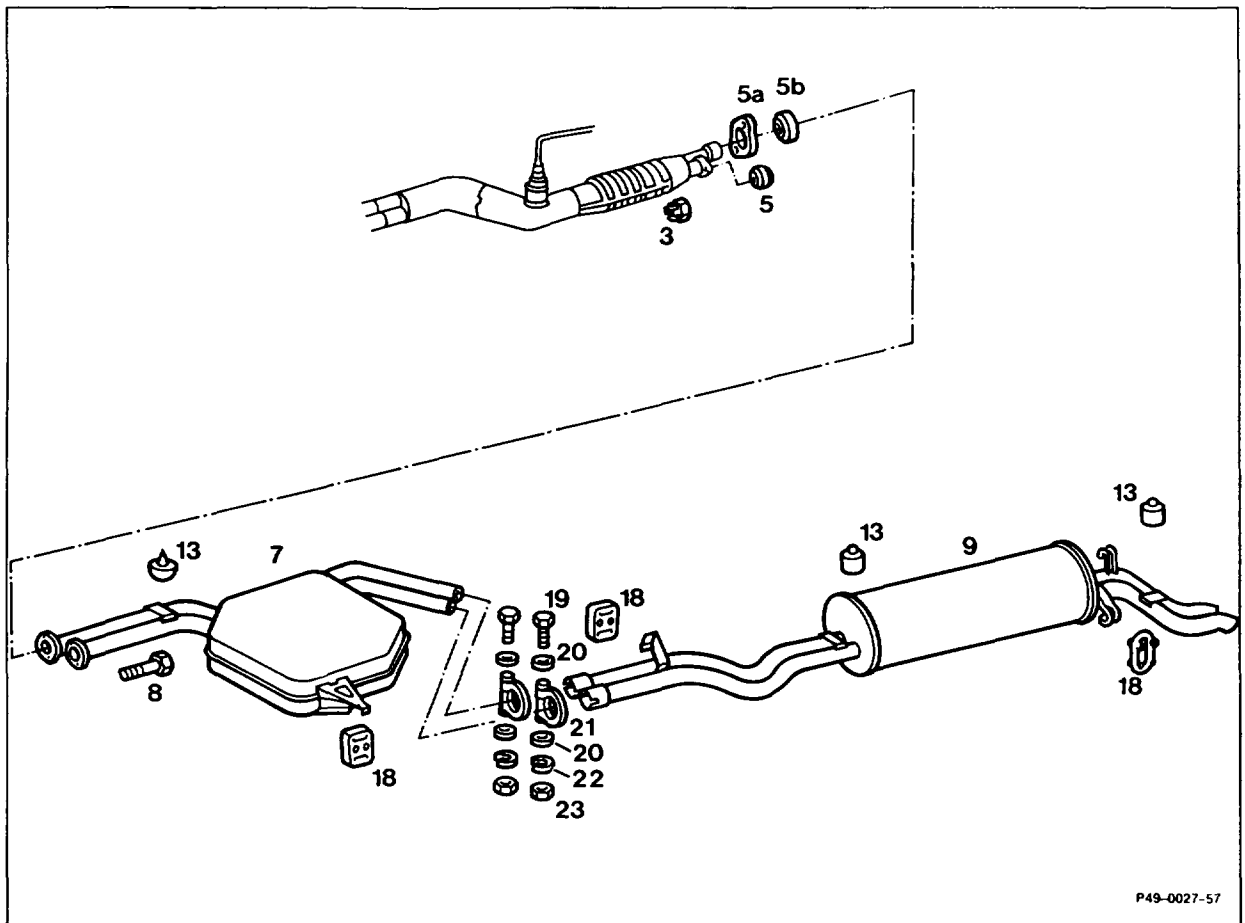
If necessary, use emery cloth to clean combustion or corrosion residues from the tapered connectors of the pipes (2, 7) and sintered seal (5).

Ensure parts are correctly installed.



- 2 Front exhaust pipe
- 3 Self-locking nut
- 5 Sintered seal
- 5a Flange
- 5b Graphite seal
- 6 Sintered seal
- 7 Middle exhaust pipe
- 8 M8 bolt

C. Model 126



Bolts (19), washers (20), spring lock washers (22), nuts (23) .....

take off, check, replace if necessary, fit on. Tightening torque 25 Nm (reference value).

Bolted joints self-locking nuts (3), bolts (8) .....

take off, fit on. Replace self-locking nuts (3), bolts (8).

Tail silencer (9) .....

Tightening torque 20 Nm (reference value). detach from rubber rings (18) take off, fit on, and attach.

**Installation note**

Check tail silencer (9) and rubber rings (18) for wear, exchange if necessary.

Pipe clips (21) . . . . .	remove from tail silencer (9), check, replace if necessary, fit on.
Middle silencer (7) . . . . .	detach from rubber ring (18), take off, fit on and attach.
Sintered seal (5), flange (5a), graphite seal (5b) . .	check suitability for reuse, replace if necessary.
Rubber stop (13) . . . . .	check for wear, exchange if necessary.
Exhaust system . . . . .	with engine running, check for leaks.

**Installation note**

Check middle silencer (7) and rubber ring (18) for wear, exchange if necessary.

**Installation note**

Ensure parts are correctly installed.

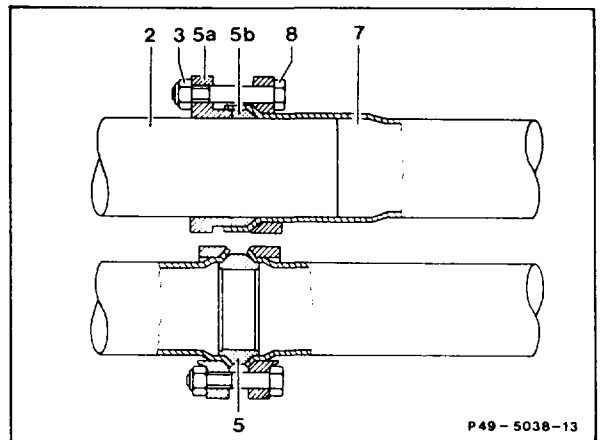
check for wear, exchange if necessary.

with engine running, check for leaks.

**Note**

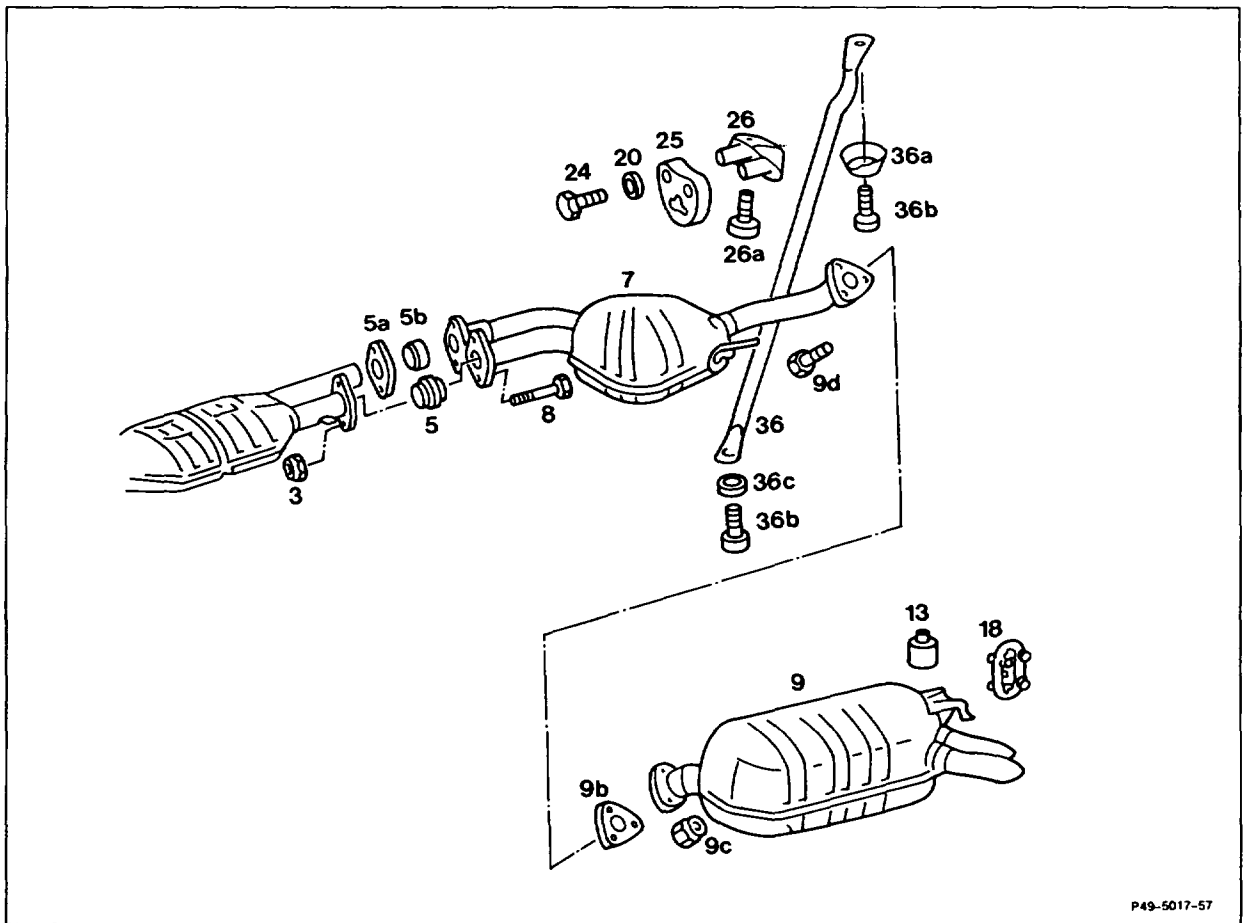
If necessary, use emery cloth to clean combustion or corrosion residues off the tapered connectors of the pipes (2, 7) and sintered seal (5).

Ensure parts are correctly installed.



- 2 Front exhaust pipe
- 3 Self-locking nut
- 5 Sintered seal
- 5a Flange
- 5b Graphite seal
- 7 Middle exhaust pipe
- 8 M8 bolt

D. Model 129



Self-locking bolts (36b) ..... unscrew, screw in.

**Installation note**

Replace bolts.  
Tightening torque 120 Nm.

Left frame cross strut (36), washer (36c)  
and reinforcing plate (36a) ..... take off, fit on.

Bolted joints self-locking nuts (3, 9c), bolts  
(8, 9d) ..... take off, fit on.  
Replace self-locking nuts (3, 9c), bolts (8, 9d).  
Tightening torque 20 Nm (reference value).

3-hole flange gasket (9b) ..... replace.

**Installation note**

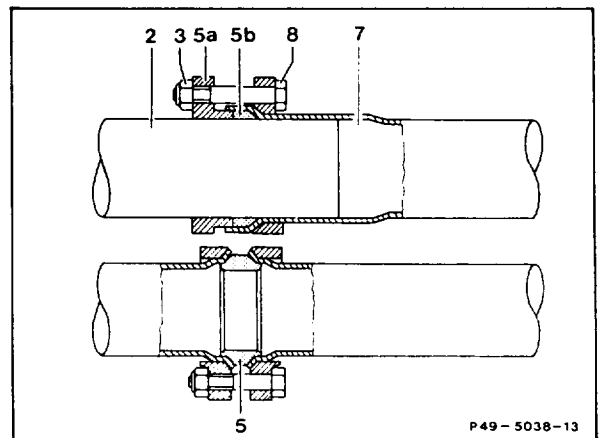
Ensure part is correctly installed.

Tail silencer (9) . . . . .	detach from rubber ring (18), take off, fit on and attach.
<b>Installation note</b>	
Check tail silencer (9) and rubber ring (18) for wear, exchange if necessary.	
Bolts (24, 26a), washers (20), suspension plate (25) and tensioning plate (26) . . . . .	take off, check for wear and fit on.
Middle silencer (7) . . . . .	take off, fit on.
Sintered seal (5), flange (5a), graphite seal (5b) . .	check suitability for reuse, replace if necessary.
<b>Installation note</b>	
Ensure parts are correctly installed.	
Rubber stop (13) . . . . .	check for wear, exchange if necessary.
Exhaust system . . . . .	with engine running, check for leaks.

**Note**

If necessary, use emery cloth to clean combustion or corrosion residues off the tapered connectors of the pipes (2, 7) and sintered seal (5).

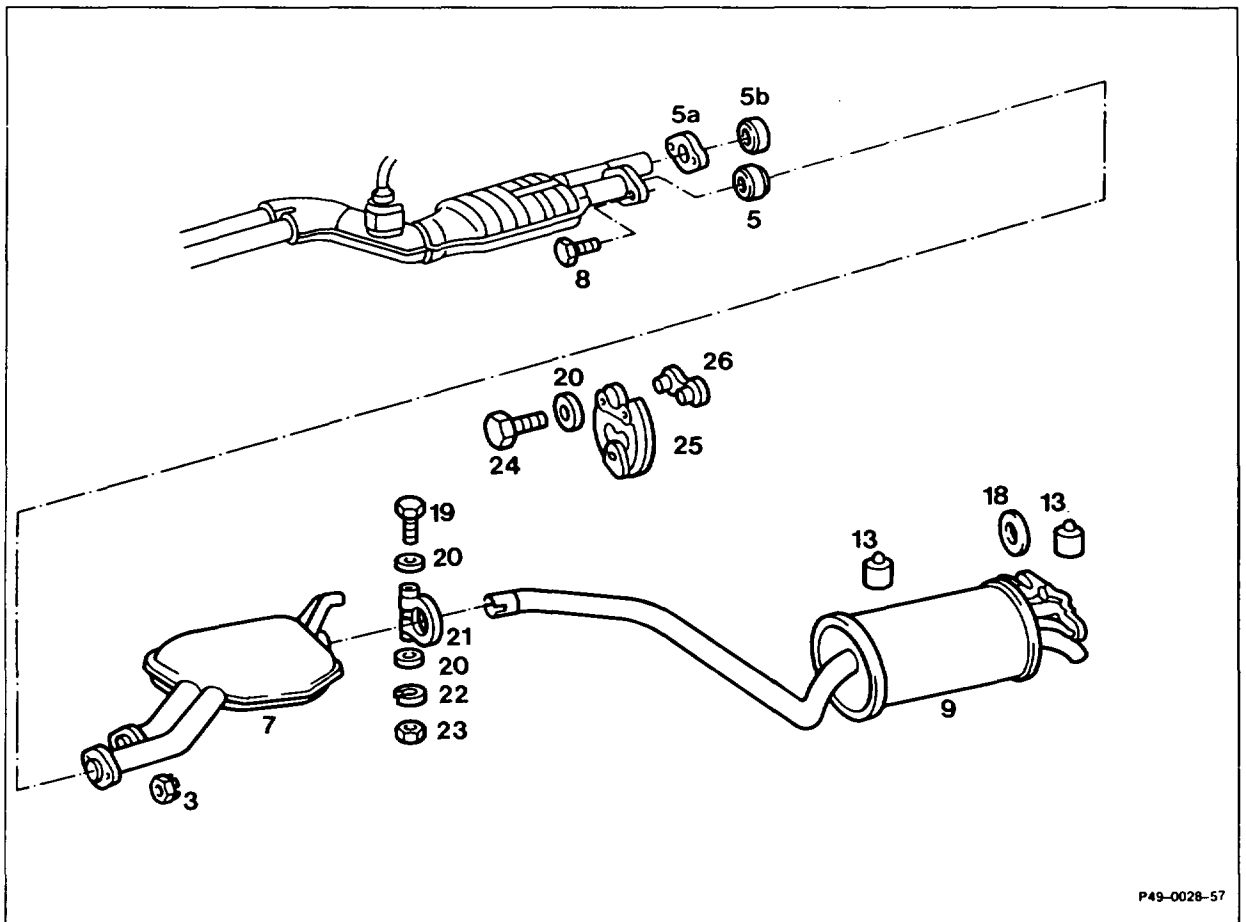
Ensure parts are correctly installed.



- 2 Front exhaust pipe
- 3 Self-locking nut
- 5 Sintered seal
- 5a Flange
- 5b Graphite seal
- 7 Middle exhaust pipe
- 8 M8 bolt



E. Model 201



P49-0028-57

- |   |  |
|---|--|
| Bolt (19), washers (20), spring lock washer (22) and nut (23) . . . . . | take off, check, replace if necessary, fit on.   |
| Bolted joints self-locking nuts (3), bolts (8) . . . . .                | take off, fit on.<br>Replace self-locking nuts (3), bolts (8).<br>Tightening torque 20 Nm (reference value). |
| Tail silencer (9) . . . . .   | detach from rubber ring (18), take off, fit on and attach.   |

**Installation note**

Check tail silencer (9) and rubber ring (18) for wear, exchange if necessary.

Pipe clip (21) . . . . .	remove from tail silencer (9), check, replace if necessary, fit on.
Bolts (24), washers (20), suspension plate (25) and tensioning plate (26) . . . . .	take off, check for wear and fit on.
Middle silencer (7) . . . . .	take off, fit on.
Sintered seal (5), flange (5a), graphite seal (5b) . . . . .	check suitability for reuse, replace if necessary.
Rubber stop (13) . . . . .	check for wear, exchange if necessary.
Exhaust system . . . . .	with engine running, check for leaks.

**Installation note**

Ensure parts are correctly installed.

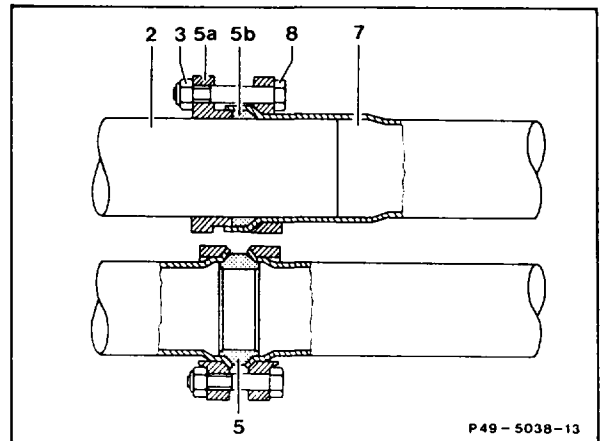
check for wear, exchange if necessary.

with engine running, check for leaks.

**Note**

If necessary, use emery cloth to clean combustion or corrosion residues off the tapered connectors of the pipes (2, 7) and sintered seal (5).

Ensure parts are correctly installed.



- 2 Front exhaust pipe
- 3 Self-locking nut
- 5 Sintered seal
- 5a Flange
- 5b Graphite seal
- 7 Middle exhaust pipe
- 8 M8 bolt