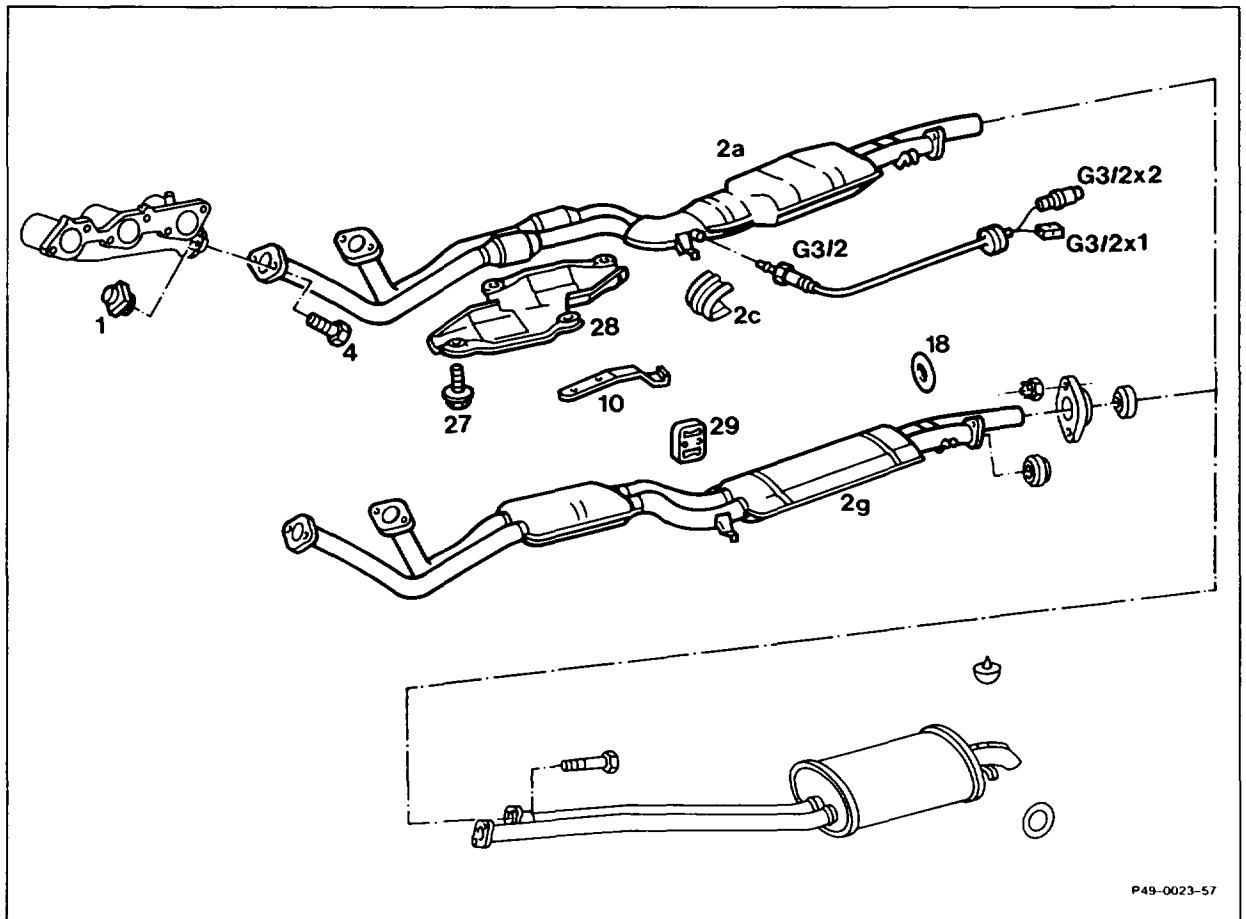


49-7000 Removing and installing exhaust system

Preceding work:
 Removing and installing engine compartment panel
 Removing and installing, replacing and bolting exhaust system as of plug connection (49-7280).

Operation no. of operation texts and work units or standard texts and flat rates:
 49-7000.

A. Model 107



Plug connection, oxygen sensor heating coil
 (G3/2x1) and plug connection, oxygen sensor
 signal (G3/2x2)
 Heat shield (2c)
 Oxygen sensor (G3/2)

in right footwell, below cover plate, separate,
 plug together.

pull off, fit on. Pay attention to installation
 position.

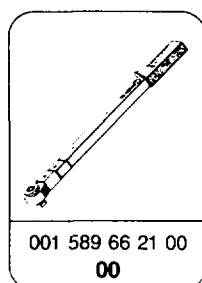
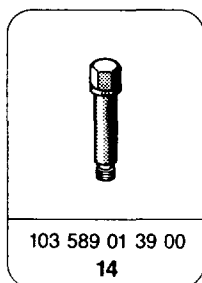
unscrew, install.

Installation note

Coat thread with paste 000 989 88 51.
 Ensure the cable is correctly routed.

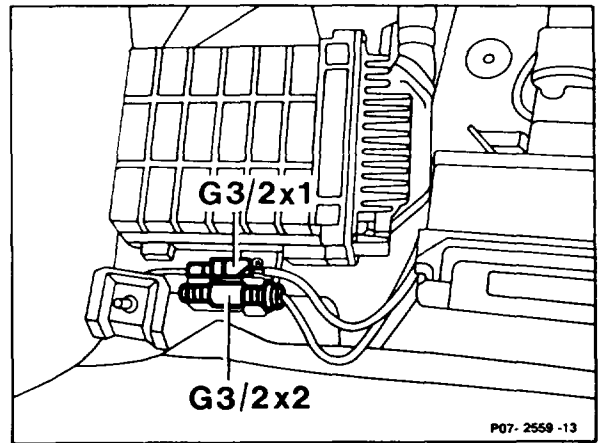
Bolts (27)	unscrew, screw in. Take off flame shield (28), fit on (only J).
Bolts (4)	unscrew, screw in. Replace bolts (4). Tightening torque 25 Nm (reference value).
Rubber rings (18, 29)	detach, attach. Check whether damaged and worn.
Front exhaust pipe with front and underflow catalytic converter (2a) or front exhaust pipe with front and centre silencer (2g)	take off, fit on.
Riveted nuts (1)	at exhaust manifold, remove, install. Knock out riveted nuts with a suitable tool, (e.g. bolt).
 Installation note	
	Install riveted nuts with cocking bolt 103 589 01 39 00. Tightening torque of cocking bolt 30 Nm (reference value).
Carrier (10)	check suitability for reuse, replace if necessary.
Exhaust system	with engine running, check for leaks.

Special tools

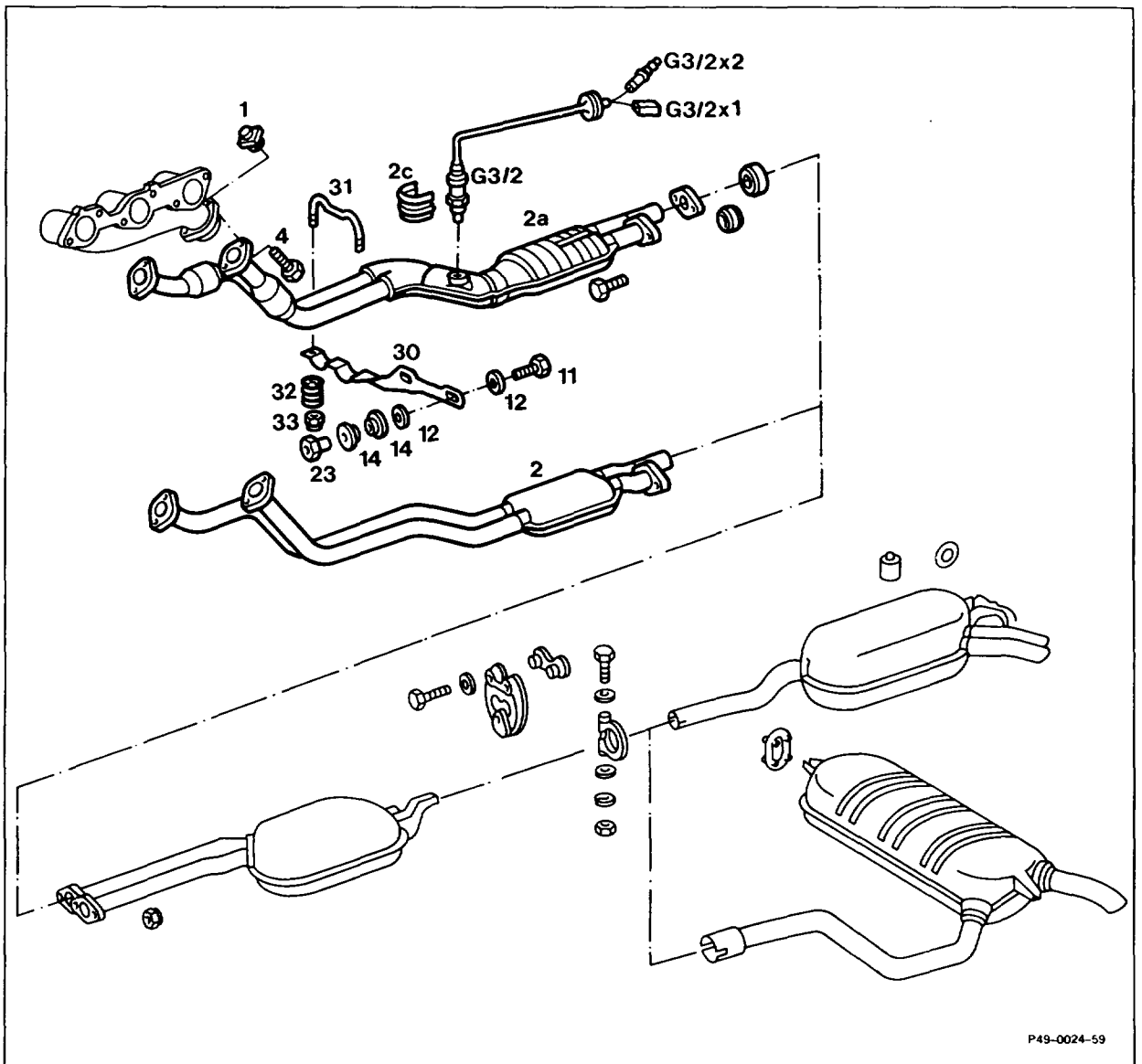


Location of oxygen sensor plug connection

- G3/2x1 Plug connection, oxygen sensor heating coil
- G3/2x2 Plug connection, oxygen sensor signal



B. Models 124, 126, 201



P49-0024-59

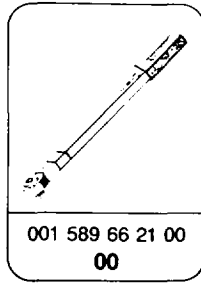
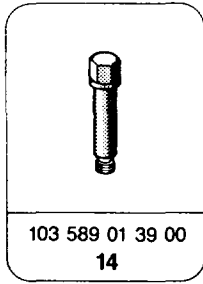
Shown on model 124

Plug connection, oxygen sensor heating coil
(G3/2x1) and plug connection, oxygen sensor
signal (G3/2x2)
Heat shield (2c)

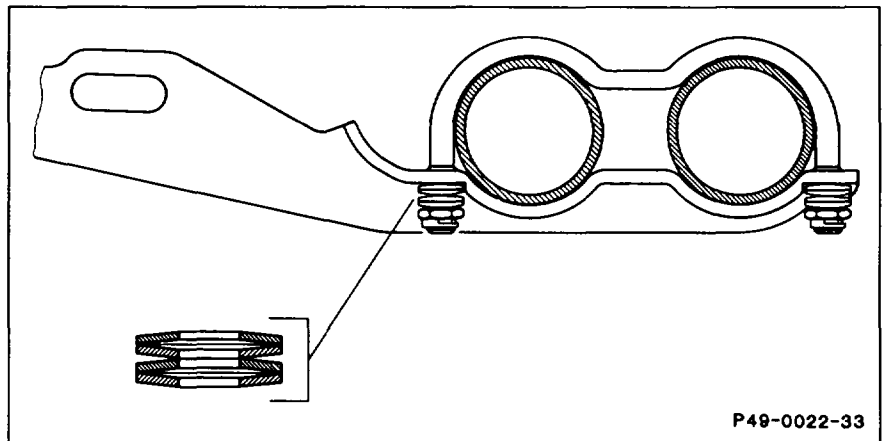
in footwell, separate, plug together.
pull off, fit on. Pay attention to installation
position.

Oxygen sensor (G3/2)	unscrew, install.
	Installation note Coat thread with paste 000 989 88 51. Ensure cable is correctly routed.
Retaining bar (31) with dished springs (32) and self-locking nuts (33)	take off, fit on. Tightening torque 7 Nm (reference value).
	Installation note Check parts and replace if necessary.
	 Pay attention to illustration note for installing dished springs.
Bolts (4)	unscrew, screw in. Replace bolts (4). Tightening torque 25 Nm (reference value).
Carrier (30) with bolts (11), washers (12), rubber washers (14) and nuts (23)	take off, fit on. Tightening torque 20 Nm (reference value).
	Installation note Check parts and replace if necessary.
Front exhaust pipe with front and underflow catalytic converter (2a) or front exhaust pipe with silencer (2)	take off, fit on.
Riveted nuts (1)	at exhaust manifold, remove, install. Knock out riveted nuts with suitable tool (e.g. bolt).
	Installation note Install riveted nuts with cocking bolt 103 589 01 39 00. Tightening torque of cocking bolt 30 Nm (reference value).
Exhaust system	with engine running, check for leaks.

Special tools



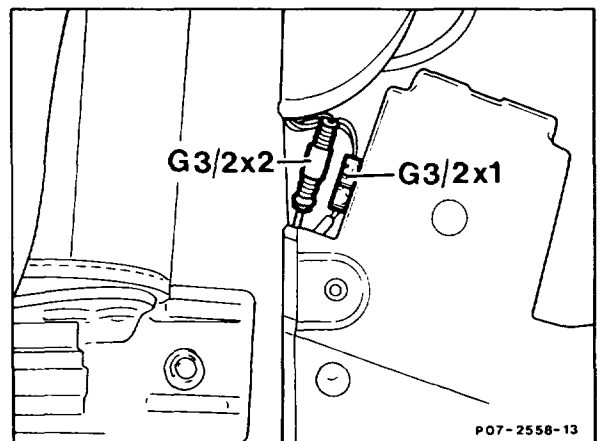
Install the dished springs at the retaining bar so that the curved face is always opposite the other (as illustrated).



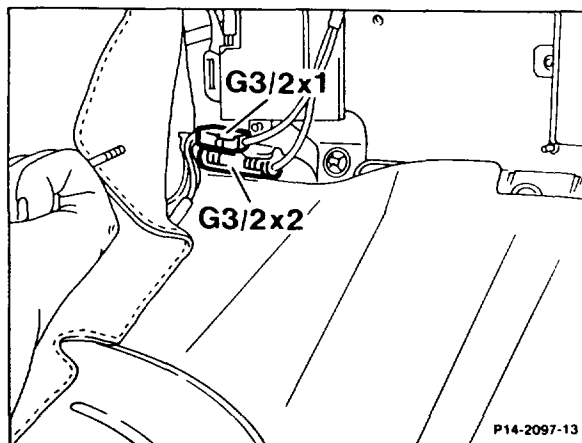
Model 124

G3/2x1 Plug connection, oxygen sensor heating coil

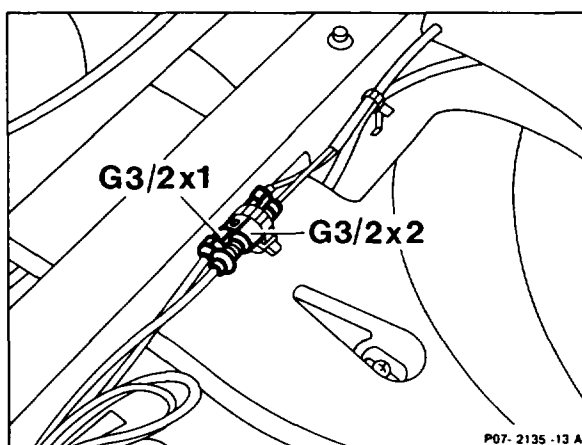
G3/2x2 Plug connection, oxygen sensor signal



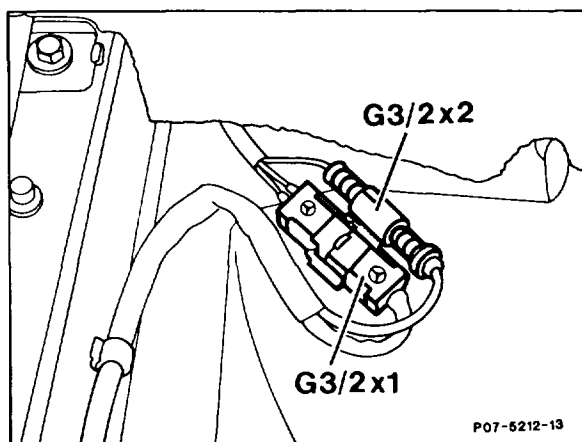
Model 126
G3/2x1 Plug connection, oxygen sensor heating coil
G3/2x2 Plug connection, oxygen sensor signal



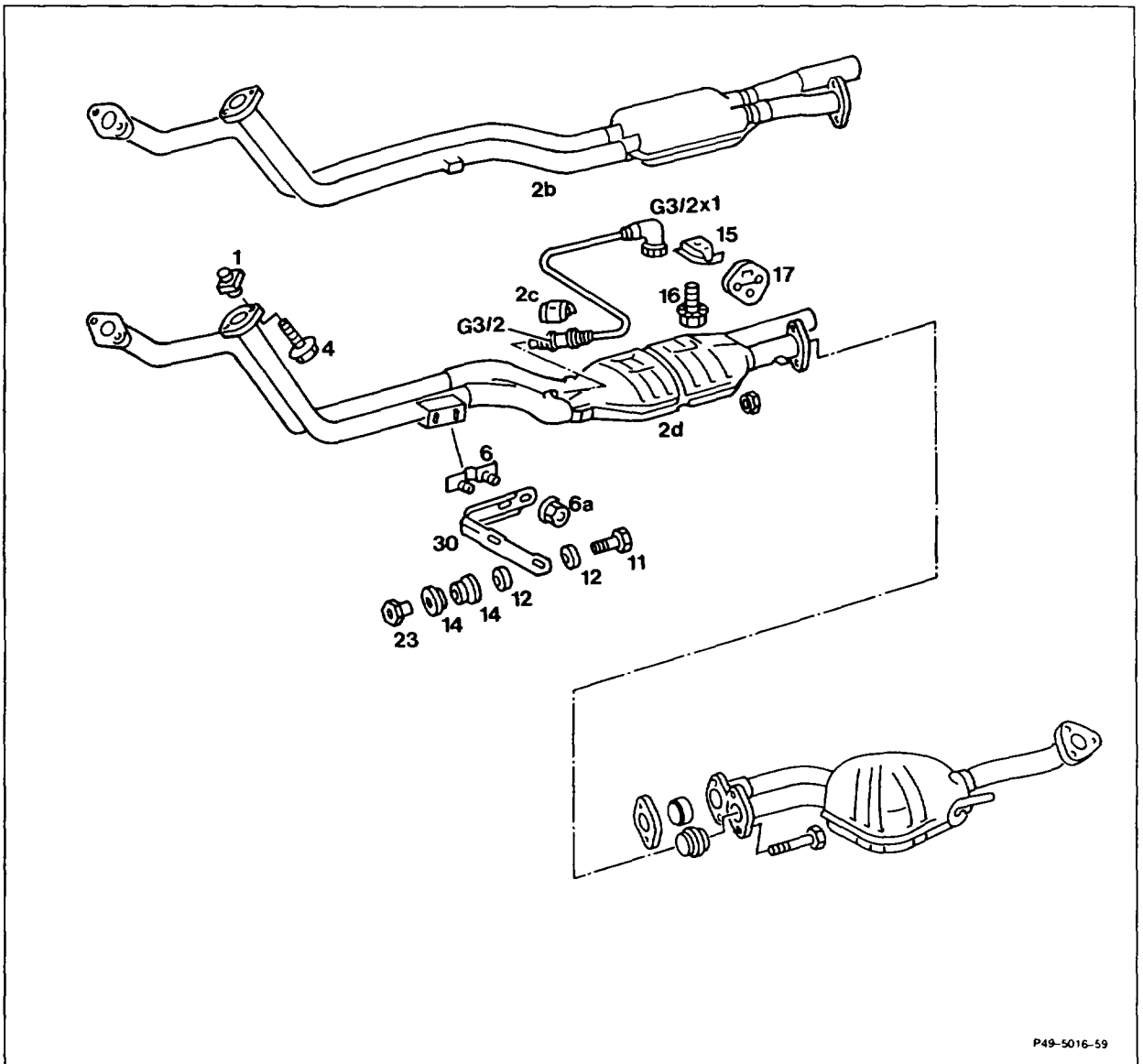
Model 201
1st version
G3/2x1 Plug connection, oxygen sensor heating coil
G3/2x2 Plug connection, oxygen sensor signal



Model 201
2nd version
G3/2x1 Plug connection, oxygen sensor heating coil
G3/2x2 Plug connection, oxygen sensor signal



C. Model 129



Plug connection, heated oxygen sensor
(G3/2x1)

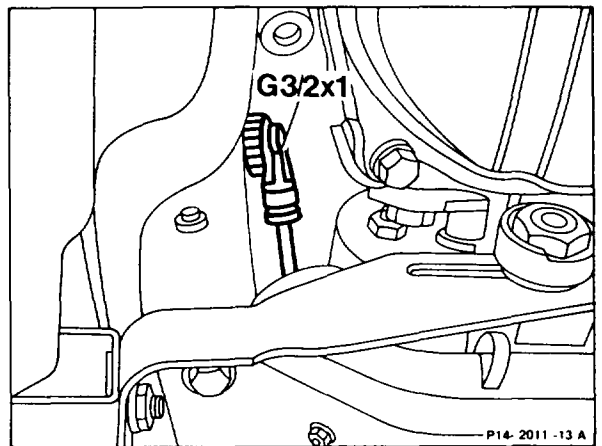
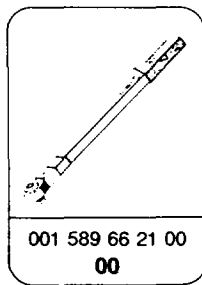
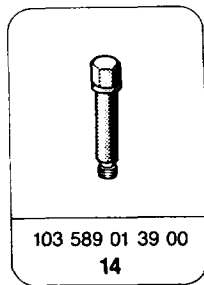
separate at outside right of transmission tunnel,
plug together.

Note

Slackening union nut = counter-clockwise
Tightening union nut = clockwise

Heat baffle (2c)	pull off, fit on. Pay attention to installation position.
Oxygen sensor (G3/2)	unscrew, install.
Installation note	
	Coat thread with paste 000 989 88 51. Ensure the cable is correctly routed.
Self-locking nuts (6a)	unscrew, screw on, replace. Tightening torque 20 Nm (reference value).
Carrier (30) with bolts (11), washers (12), rubber washers (14) and nuts (23)	take off, fit on. Tightening torque 20 Nm (reference value).
Installation note	
	Check parts and replace if necessary.
Threaded plate (6)	check suitability for reuse, replace if necessary.
Bolts (4)	unscrew, screw in. Replace bolts (4). Tightening torque 23 Nm (reference value).
Rubber ring (17)	detach, attach. Check for damage and wear.
Front exhaust pipe with underflow catalytic converter (2d), or front exhaust pipe with front silencer (2b)	take off, fit on.
Bolt (16)	replace. Tightening torque 25 Nm (reference value).
Holder (15)	check suitability for reuse.
Riveted nuts (1)	at exhaust manifold, remove, install. Knock out riveted nuts with suitable tool (e.g. bolt).
Installation note	
	Install riveted nuts with cocking bolt 103 589 01 39 00. Tightening torque of cocking bolt 30 Nm (reference value).
Exhaust system	with engine running, check for leaks.

Special tools



G3/2x1 Plug connection, heated oxygen sensor