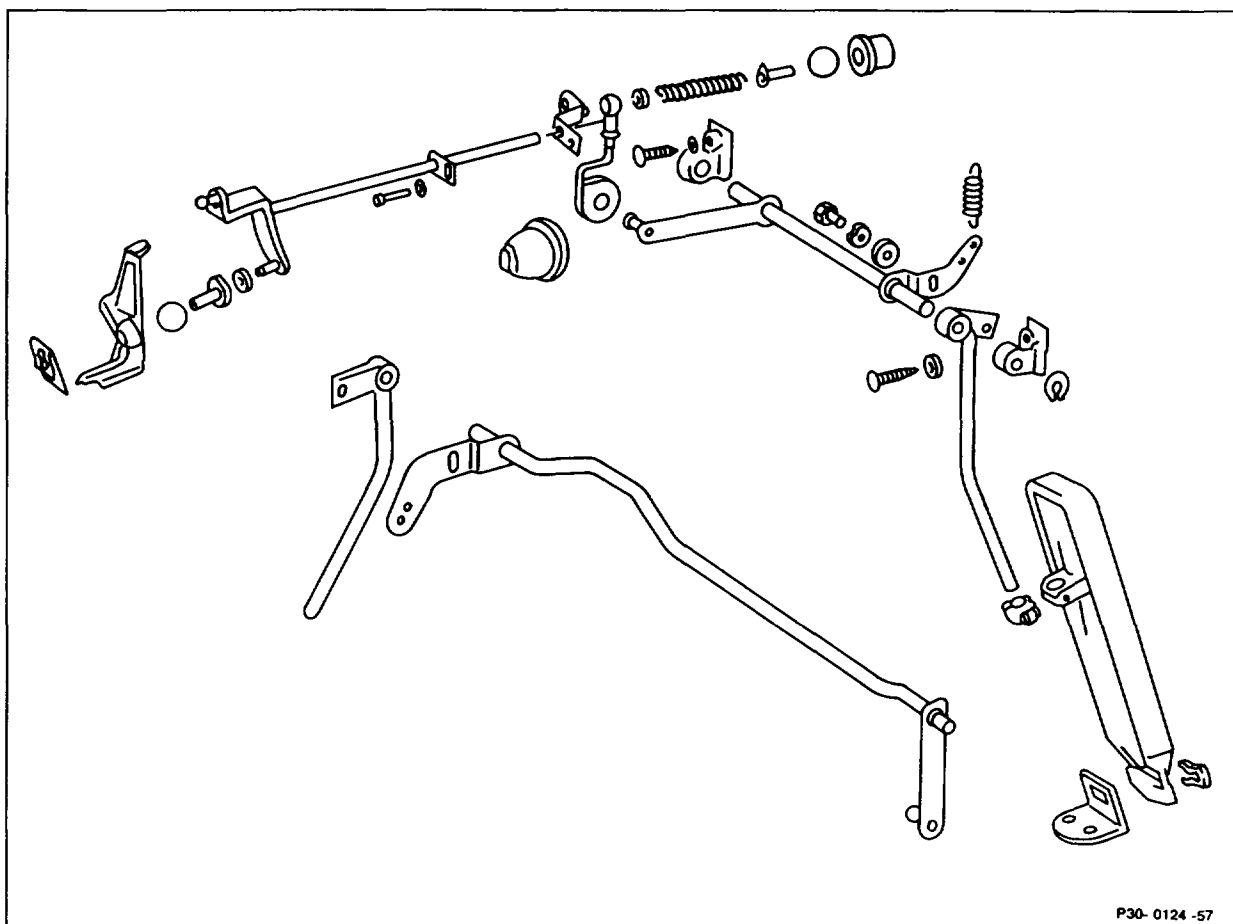


30-3022 Removing and installing fire wall bearing with accelerator pedal lever

Operation no. of operation texts and work units or standard texts and flat rates:
30-3022.

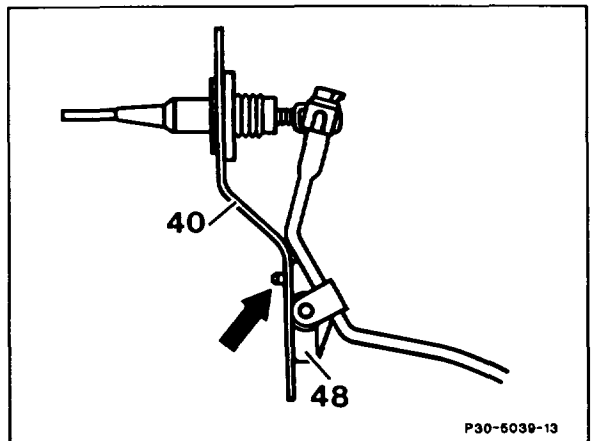
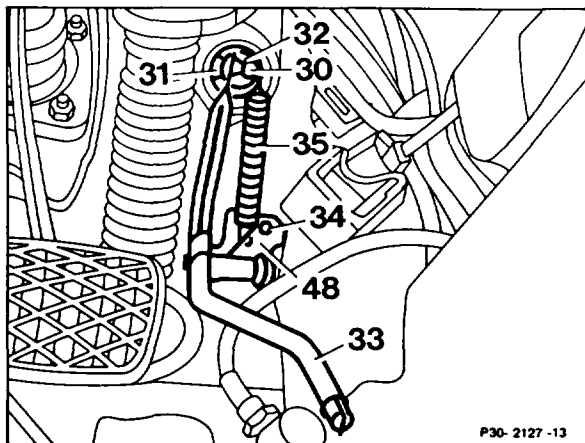
A. Model 107



P30- 0124 -57

Chassis accelerator control shaft remove, install (30-0320).

B. Models 124, 129, 201



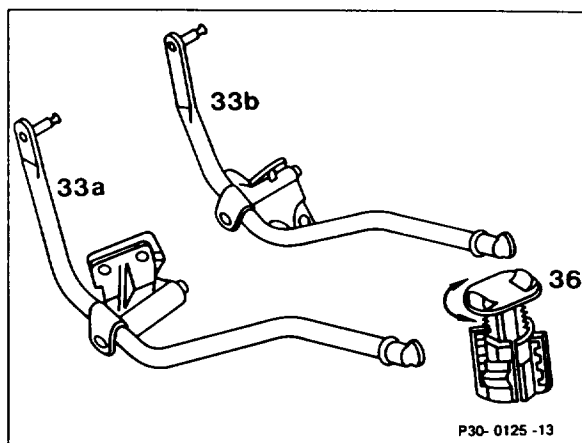
Accelerator pedal	remove, install (30-1321).
Footwell trim	remove, install.
Return spring (35)	detach, attach.
Bowden cable (30)	remove from accelerator pedal lever (33), fit on.
Screws (34)	remove with washers, screw in.
Fire wall bearing (48)	remove together with accelerator pedal lever (33) from the fire wall (40), fit on.
Installation note	
Models 124, 129	
The lug (arrow) of the fire wall bearing (48) must engage in the hole on the fire wall.	
Fire wall bearing (48)	pull off of the accelerator pedal lever (33), fit on. To do this, pull off circlip and thrust washer, fit on.
Note	
The bearing points and also the ball sockets of the accelerator control should be greased with anti-corrosion grease 000 989 87 51 10.	
Accelerator control linkage	adjust (30-1010).

Note

Models 124, 201

Improvement in response and variability by converting accelerator pedal lever (extending), bearing point and full throttle stop with pedal travel enlargement by 3° in direction of full throttle.

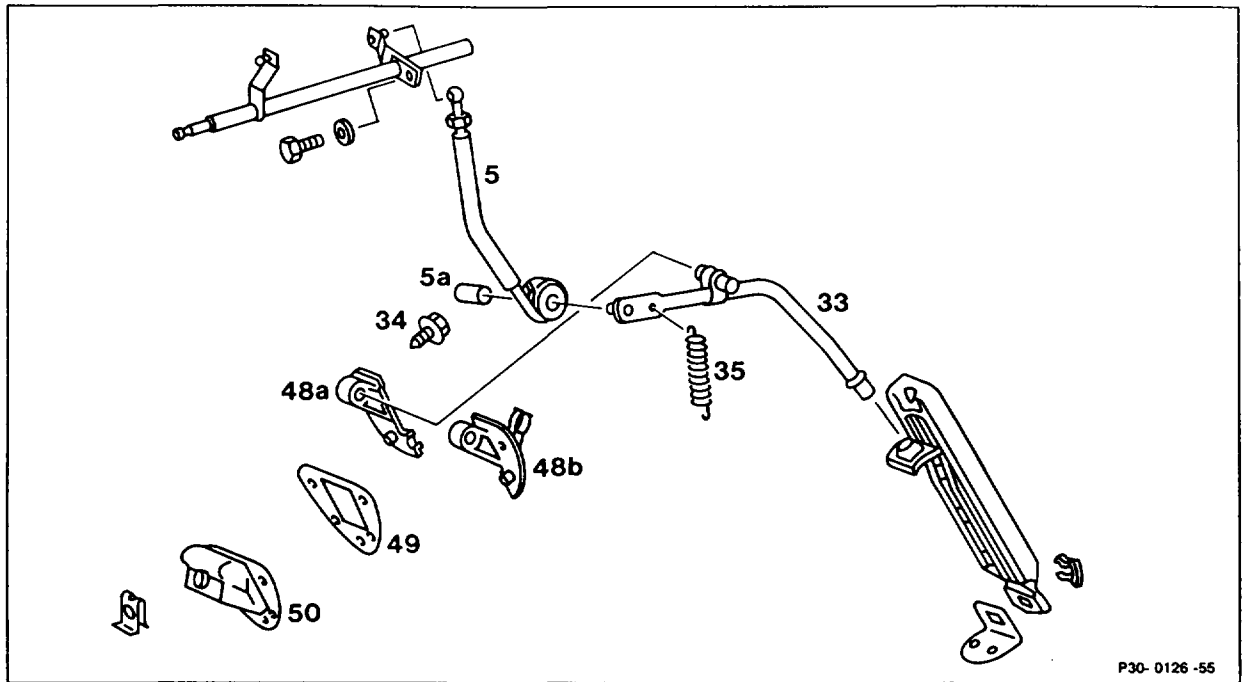
- 33a Accelerator pedal lever model 124
- 33b Accelerator pedal lever model 201
- 36 Full throttle stop



Production breakpoint: 11/88

Model	As of vehicle ident end no. A	As of vehicle ident end no. F
124.026/030/050/090 124.226/230/290	907 056	096 908
201.029	473 115	576 183

C. Model 126



Accelerator pedal	remove, install (30-1321).
Footwell trim	remove, install.
Return spring (35)	detach, attach.
Push rod (5)	remove from accelerator pedal lever (33), fit on. Check bush (5a) for wear, replace.
Electric wiring	take out of fixtures of fire wall bearing halves (48a, 48b), insert.
Screws (34)	unscrew, screw in.
Fire wall bearing halves (48a, 48b)	take off the fire wall together with the accelerator pedal lever (33), fit on.
Fire wall bearing halves (48a, 48b)	remove from accelerator pedal lever (33), fit on.
Packing (49), seal (50)	take off of fire wall, install.

Note

Check parts for wear, replace if necessary.
The bearing points as well as the ball sockets of
the accelerator control should be greased with
anti-corrosion grease 000 989 87 51 10.

Accelerator control linkage

adjust (30-1010).