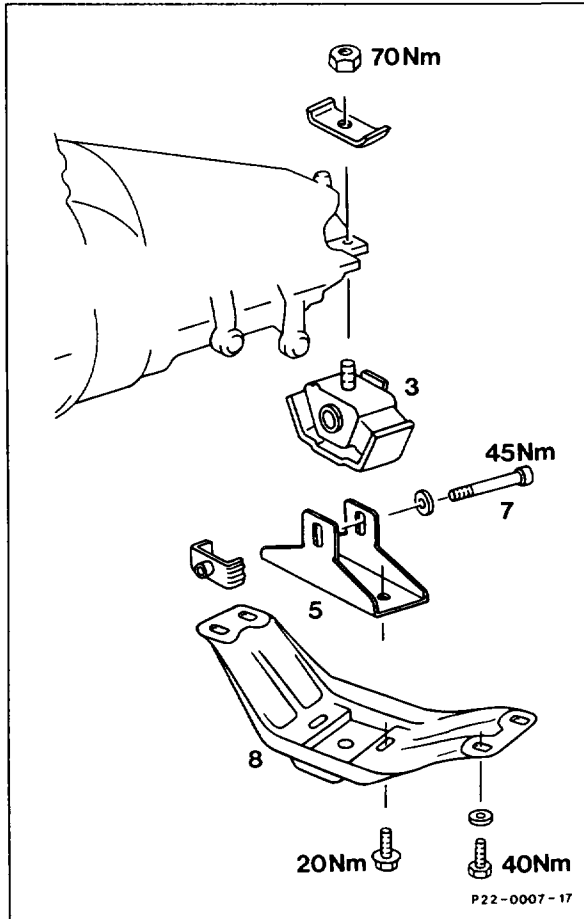


22-2130 Adjusting rear engine mount (freeway-hop), model 124 USA

Operation no. of operation texts and work units or standard texts and flat rates



- 1 Flat nut
- 2 Packing
- 3 Engine mount
- 4 Nut
- 5 Bracket
- 6 Washer

- 7 Adjusting screw 10.9
- 8 Engine support

Adjusting

| | |
|---------------------------|---|
| Adjusting screw (7) | slacken completely at rear engine mount. |
| Engine | move by hand by shaking back and forward. |
| Adjusting screw (7) | tighten, 45 Nm. |

Note

The rear engine mount with variable engine stop and higher load carrying capacity can be installed if complaints are received regarding engine vibration on roads with joints running across (freeway-hop).

If this engine mount is installed, the engine stop must be set after approx. 1000 and after 10000 km distance.