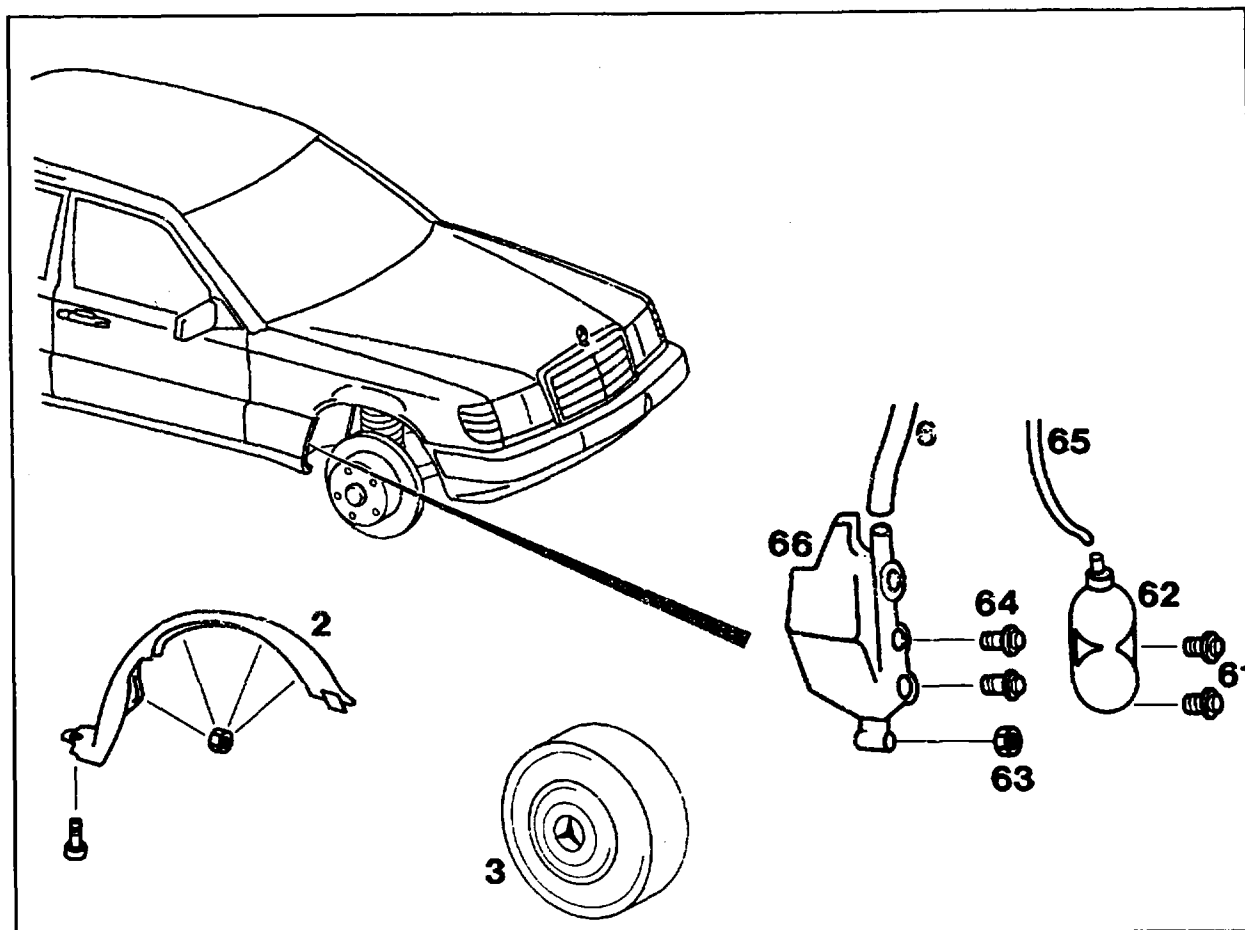


20-4540 Removing and installing overflow tank

Operation no. of operation texts and work units or standard texts and flat rates

A. Models 124, 126, 201

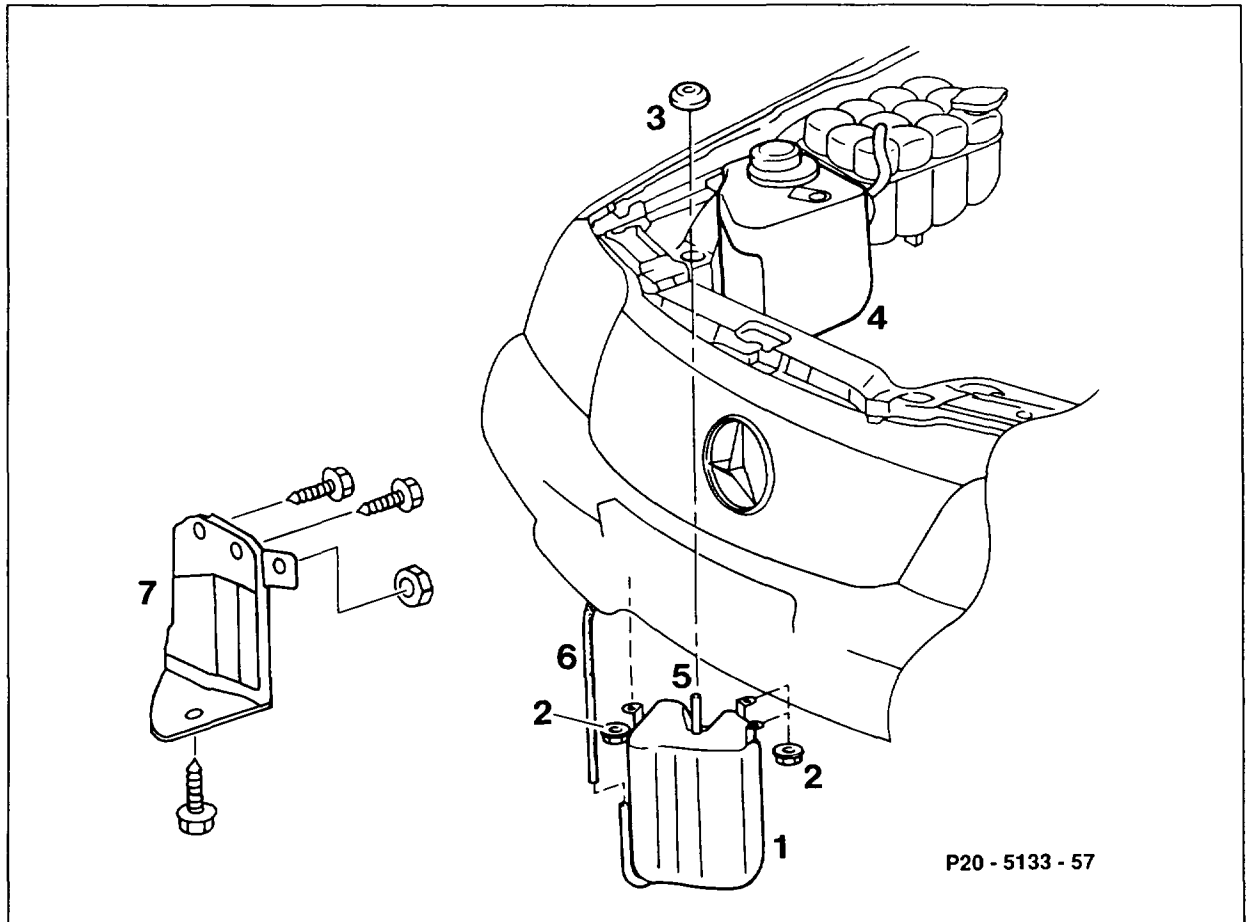


P20-5254-57

Shown on model 124

Front right wheel (3)	take off, fit on
Partition (2) below front right wheelhouse	remove, install
Bolts (61)	unscrew, screw on
Vacuum hose (65)	detach, fit on
Model 124: vacuum reservoir (62)	remove, install
Nut (63) and bolts (64)	unscrew, screw on
Coolant hose (6)	detach, fit on
Overflow tank (66)	remove, install

B. Model 129



- | | |
|----------------------------|---|
| Vehicle | drive onto platform or over inspection pit. |
| Front right trim (7) | remove, install. |
| Coolant hose (6) | detach from overflow tank, fit on. |



When removing the overflow tank (1), protective cap (3) of air intake connection (5) remains positioned next to windshield washer reservoir (4).

- | | |
|--------------------------|---------|
| Protective cap (3) | fit on. |
|--------------------------|---------|