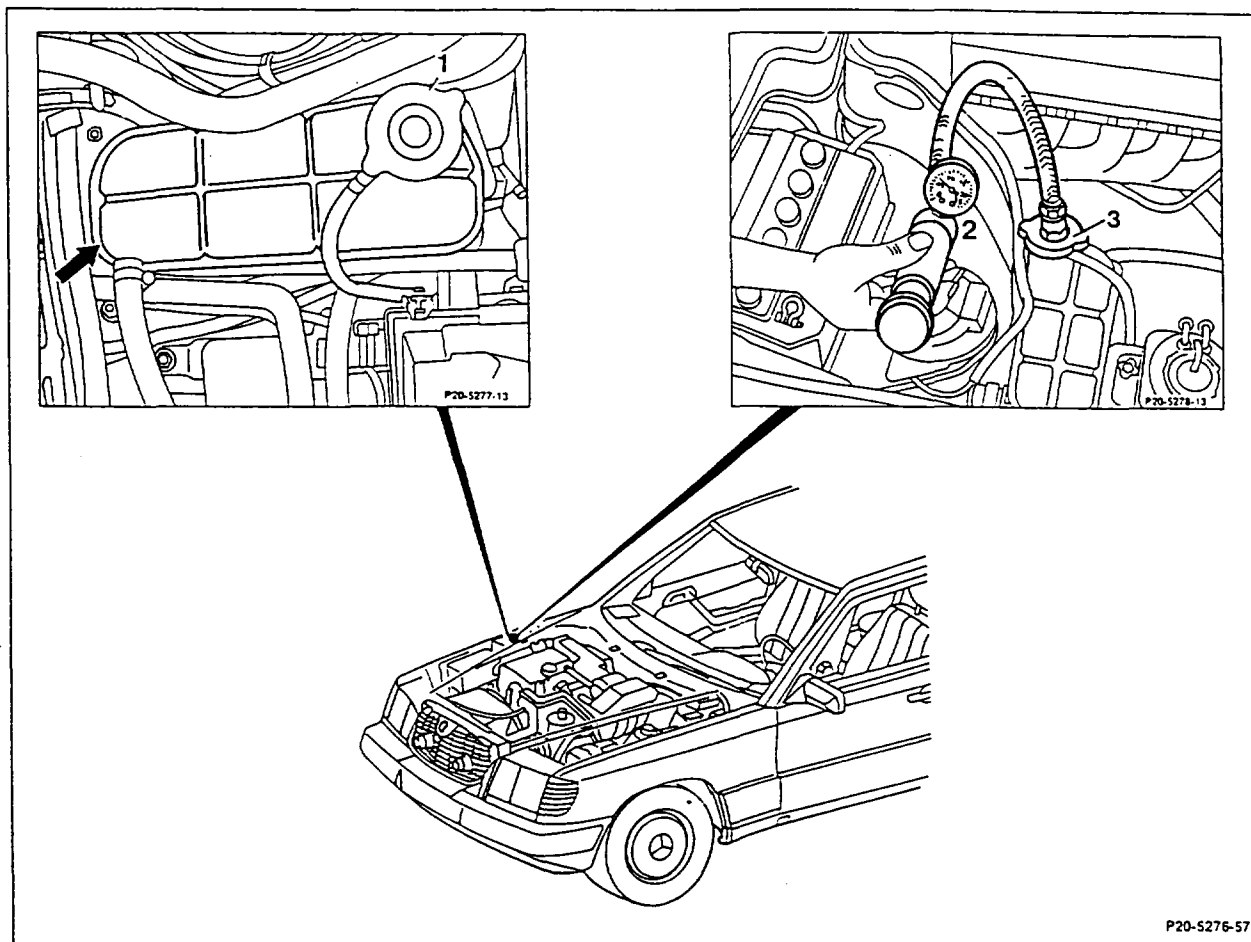


20-0170 Testing cooling system for leaks

Operation no. of operation texts and work units or standard texts
and flat rates
20-1010



Pressure cap (1) open in stages, close



The pressure cap (1) should not be opened unless the coolant temperature is below 90 °C. If engine is hot, on no account remove the cap (1) before releasing the pressure in the cooling system.

Risk of scalding!

Coolant level in expansion tank check, top up if necessary (20-0100)
 Connection cap (3) of tester (2) lock at filler neck of coolant expansion tank.
 Cooling system pressurize with tester (2) (about 1.4 bar)

All connections of coolant and heating

water hoses

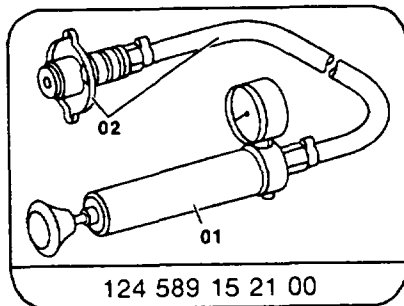
check for loss of coolant and also examine exterior condition of coolant hoses and hose straps; replace in necessary or re-tighten hose straps.

Tightening torques in Nm (reference values) 1)

Hose clips up to \varnothing 27 mm (waf 6 mm)	2.5
Hose clips as of \varnothing 28 mm (waf 7 mm)	3.5

1) Threaded hose clips which are excessively tightened damage the hoses.

Special tool



Commercially available tool

7 mm socket wrench hexagon on flexible shaft for hose straps with wormdrive

eg. Hazet, D-42853 Remscheid
Order no. 426-7