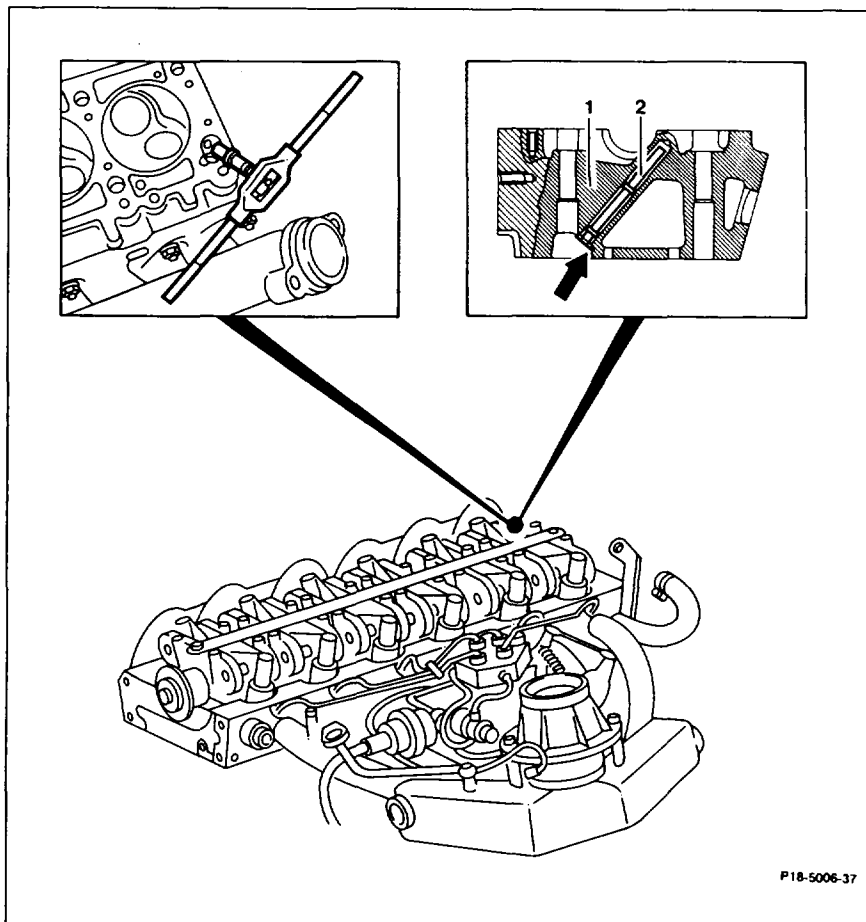


18-4150 Replacing oil nozzle return lock

Preceding work:
Cylinder head removed (01-4150).

Operation no. of operation texts and work units or standard texts
and flat rates



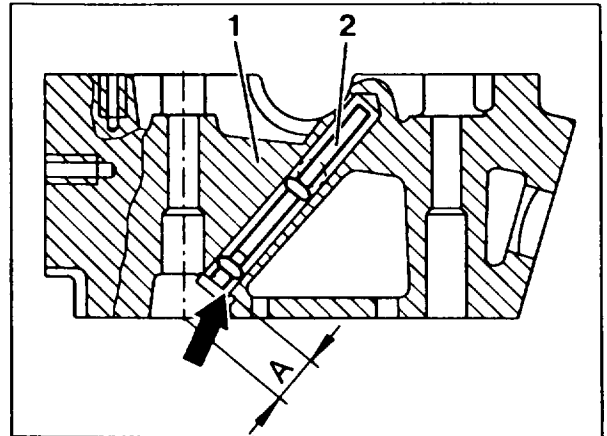
P18-5006-37

Oil nozzle return lock (2)	tap thread about 5 mm deep
Oil nozzle return lock (2)	remove with impact extractor 116 589 20 33 00 and threaded bolt 100 589 00 34 00
New oil nozzle return lock (2)	knock in with a suitable drift as far as the shoulder (arrow). Pay attention to size A; see note.

Note:

Modified oil nozzle return lock

As of 12/1986 an oil nozzle return lock with shoulder (arrow) is installed in the cylinder head. This prevents the oil migrating up. When performing repairs, install oil nozzle with shoulder (arrow).



Size A = 15.2 mm

P18-5321-13

Modified oil nozzle return lock, production breakpoint: 12/1986

Model	Engine	Engine end no.	
		manual transmission	automatic transmission
107.041	103.982	001013	004669
124.026	103.940	010540	016408
124.030 124.090	103.983	011367	056595
126.020	103.941	001938	006387
126.024 126.025	103.981	003344	026791
201.029	103.942	000133	000957

Special tools

