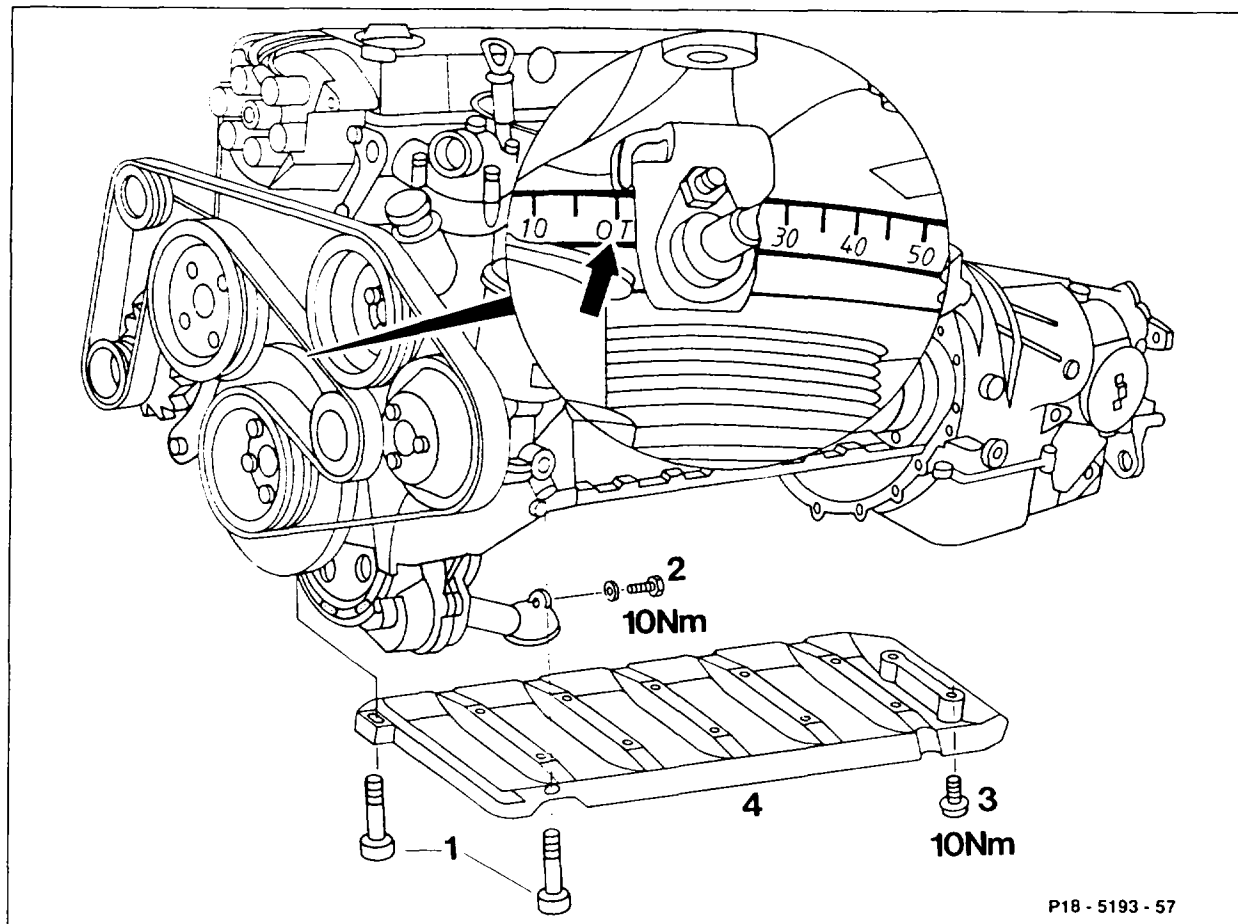


## 18-2180 Removing and installing oil shield at crankshaft

Preceding work:  
Oil sump removed (01-3100).

### Model 129



P18 - 5193 - 57

- 1 M8 × 35 hexagon socket screw + washer
- 2 M6 × 16 screw + washer
- 3 M6 × 12 hexagon socket screw, 12 ea.

Piston of cylinder 1	move to TDC (arrow) so that crankshaft webs of cylinder 2 are facing up.
Screws (1) of oil pump and screw (2) of intake manifold support	unscrew, screw on, M6 10 Nm; M8 25 Nm;
Screws (3)	unscrew, screw on (10 Nm).
Oil shield (4)	remove, install.