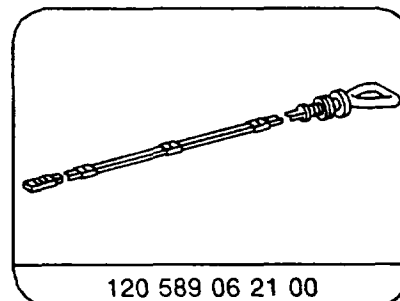
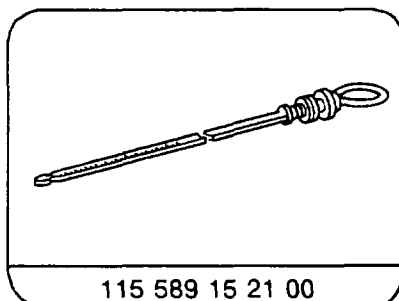
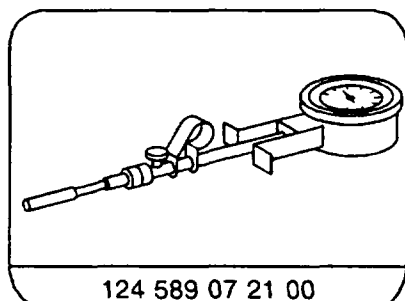


18-0250 Measuring oil consumption

Operation no. of operation texts and work units or standard texts
and flat rates
18-1020

Special tools



Oil consumption test sheets 1)

Engine	Print number German/English	Print number French/Spanish
103.942/982	B20 800 98 394 00B	B20 800 98 394 01B
103.940/941/980/ 981/983	B20 800 98 395 00B	B20 800 98 395 01B
103.943/985	B20 800 98 440 00A	B20 800 98 440 01A
103.984	B20 800 98 441 00A	B20 800 98 441 01A

1) Measure oil consumption on engines not listed here with the weighing method.

Note

The oil consumption should be determined with the dipstick with the millimeter scale and with the relevant test sheet. It should not be greater than 1.0 l/1000 km. The measurement procedure is described on the front of the test sheet and should be strictly adhered to.



The engine oil should be checked before measuring consumption to detect any fuel dilution and to ensure that the oil is at the correct level in order to avoid incorrect measurements. The oil level must not be higher than stated in table overleaf.

"Max" oil level in mm

Engine	Dipstick	Oil level on dipstick
103.940/941/942/980/981/982/983	115 589 15 21 00	44
103.943/985	120 589 06 21 00	115
103.984	120 589 06 21 00	100

