

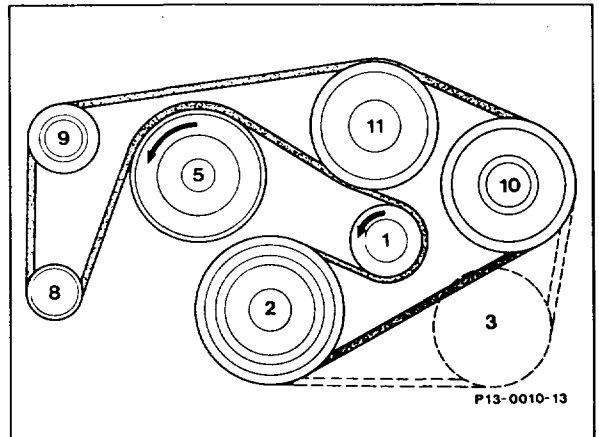
13-3440 Poly-V-belt, running diagrams, dimensions

Running diagram of vehicles without air pump and without or with A/C compressor

Belt length: 2170 mm without A/C compressor,

Belt length: 2257 mm with A/C compressor.

- 1 Tensioning pulley
- 2 Crankshaft
- 3 A/C compressor
- 5 Fan
- 8 Alternator
- 9 Top guide pulley
- 10 Power steering pump
- 11 Coolant pump

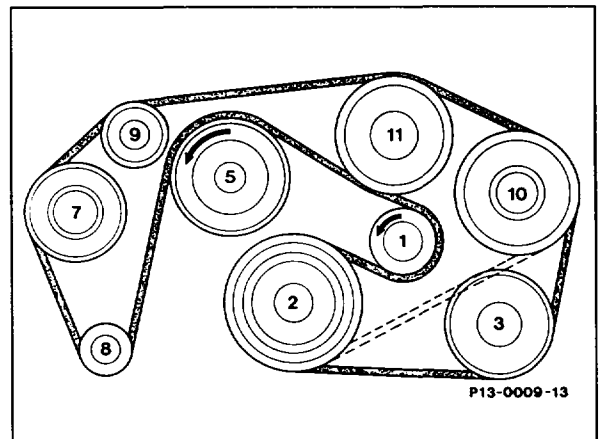


Running diagram of vehicles with air pump and without or with A/C compressor

Belt length: 2330 mm without A/C compressor,

Belt length: 2415 mm with A/C compressor.

- 1 Tensioning pulley
- 2 Crankshaft
- 3 A/C compressor
- 5 Fan
- 7 Air pump
- 8 Alternator
- 9 Top guide pulley
- 10 Power steering pump
- 11 Coolant pump



Running diagram with 2nd alternator

Belt length: 2245 mm without AC compressor,

Belt length: 2330 mm with AC compressor.

- 1 Tensioning pulley
- 2 Crankshaft
- 3 AC compressor
- 5 Fan
- 8 Alternator
- 9 Top guide pulley
- 10 Power steering pump
- 11 Coolant pump
- 12 2nd alternator

